



ETA-Danmark A/S
Göteborg Plads 1
DK-2150 Nordhavn
Tel. +45 72 24 59 00
Internet www.etadanmark.dk

Authorised and notified
according to Article 29 of the
Regulation (EU)
No 305/2011 of the European
Parliament and of the Council
of 9 March 2011

MEMBER OF EOTA



European Technical Assessment ETA-21/0555 of 2021/06/16

I General Part

Technical Assessment Body issuing the ETA and designated according to Article 29 of the Regulation (EU) No 305/2011: ETA-Danmark A/S

Trade name of the construction product:

Bostik FP 312 Fire Retardant Coating

Product family to which the above construction product belongs:

Fire Stopping and Sealing Product:

- Linear Joint and Gap Seals

Manufacturer:

Bostik B.V.
Denariusstraat 11
4903 RC Oosterhout
The Netherlands

Manufacturing plant:

A/003

This European Technical Assessment contains:

10 pages including 1 annex which form an integral part of the document

This European Technical Assessment is issued in accordance with Regulation (EU) No 305/2011, on the basis

EAD 350141-00-1106

This version replaces:

-

Translations of this European Technical Assessment in other languages shall fully correspond to the original issued document and should be identified as such.

Communication of this European Technical Assessment, including transmission by electronic means, shall be in full. However, partial reproduction may be made, with the written consent of the issuing Technical Assessment Body. Any partial reproduction has to be identified as such.

Table of Contents

I.	SPECIFIC PARTS OF THE EUROPEAN TECHNICAL ASSESSMENT	4
1	Technical description of the product	4
2	Specification of the intended uses of the product in accordance with the applicable European Assessment Document (Hereinafter EAD): ETAG 026-2.....	5
3	Performance of the product and references to the methods used for its assessment	6
4	ASSESSMENT AND VERIFICATION OF CONSTANCY OF PERFORMANCE (HEREINAFTER AVCP) SYSTEM APPLIED, WITH REFERENCE TO ITS LEGAL BASE.....	7
5	Technical details necessary for the implementation of the AVCP system, as provided for in the applicable EAD	7
	ANNEX A – Resistance to Fire Classification – Bostik FP 312 Fire Retardant Coating.....	8
A.1	Rigid floor constructions with thickness of minimum 150 mm.....	8
A.1.1	Linear joint or gap seal, between floor slabs or between floor slab and wall with coating to the both faces of seal	8
A.1.2	Linear joint or gap seal, between floor slabs or between floor slab and wall with coating to the top face of seal only	9
A.1.3	Linear joint or gap seal, between the head of walls (min. 150 mm thick) and the soffit of floor slabs or in walls (min. 150 mm thick) with coating to both faces	10

I. SPECIFIC PARTS OF THE EUROPEAN TECHNICAL ASSESSMENT

1 Technical description of the product

- 1) Bostik FP 312 Fire Retardant Coating is an ablative sealant coating designed to enhance, seal and fire protect mineral fibres. It is based on a durable polymer system with inert fillers, non-halogenated fire retardants and a preservative to resist microbial attack. Bostik FP 312 Fire Retardant Coating is a sprayed coating product that is site or factory applied to both faces of a stone wool, mineral fibre board or site applied to one face of stone wool mineral fibre backer, to form a linear joint seal system. The intended use of Bostik FP 312 Fire Retardant Coating is to reinstate the fire resistance performance of floor to floor/ floor to wall joints and wall gaps.
- 2) The Bostik FP 312 Fire Retardant Coating system, when factory applied/supplied is referenced Bostik FP 320 Fire Batt 2-S.
- 3) The Bostik FP 312 Fire Retardant Coating on mineral fibre boards, shall only be applied to Paroc Pyrotech Slab 160 / Paroc FPS 160 stone wool mineral fibre boards, with a minimum 1 mm WFT. The WFT of the coating should be measured and verified at minimum 5 locations to ensure correct installation. The stone wool mineral fibre boards may be supplied by Bostik B.V. or may be sourced separately. Installation of the Bostik FP 312 Fire Retardant Coating / Bostik FP 320 Fire Batt system shall be in accordance with Bostik B.V. installation instructions.
- 4) The Bostik FP 312 Fire Retardant Coating may also be applied to stone wool, mineral fibre with a density 33 kg/m³.
- 5) The applicant has submitted a written declaration that Bostik FP 312 Fire Retardant Coating does not contain substances which have to be classified as dangerous according to Directive 67/548/EEC and Regulation (EC) No 1272/2008 and listed in the "Indicative list on dangerous substances" of the EGDS - taking into account the installation conditions of the construction product and the release scenarios resulting from there.

In addition to the specific clauses relating to dangerous substances contained in this European technical Assessment, there may be other requirements applicable to the products falling within its scope (e.g. transposed European legislation and national laws, regulations and administrative provisions). In order to meet the provisions of the Construction Products Regulation, these requirements need also to be complied with, when and where they apply.

- 6) The use category of Bostik FP 312 Fire Retardant Coating in relation to BWR 3 (Hygiene, health and environment) is IA1, S/W3

2 Specification of the intended uses of the product in accordance with the applicable European Assessment Document (Hereinafter EAD): ETAG 026-2

Detailed information and data is given in Annex A.

- 1) The intended use of Bostik FP 312 Fire Retardant Coating is to reinstate the fire resistance performance of gaps in and joints between rigid floors and between rigid floors and rigid wall constructions, gaps in and joints between rigid floor constructions.
- 2) The specific elements of construction that the system Bostik FP 320 Fire Batt may be used to provide a linear joint or gap seal in, are as follows:
 - a. Rigid floors: The floor must have a minimum thickness of 150 mm and comprise aerated concrete or concrete with a minimum density of 650 kg/m³.
 - b. Rigid walls: The wall must have a minimum thickness of 150 mm and comprise concrete, aerated concrete or masonry, with a minimum density of 650 kg/m³.

The supporting construction must be classified in accordance with EN 13501-2 for the required fire resistance period. (for details see Annex A)

- 3) The system Bostik FP 312 Fire Retardant Coating may be used to provide a linear joint or gap seal with specific supporting constructions and substrates (for details see Annex A).
- 4) The maximum permitted joint/gap width for system Bostik FP 312 Fire Retardant Coating is 120 mm.
- 5) The maximum movement capability of system Bostik FP 320 Fire Batt is $\leq 7.5\%$
- 6) The provisions made in this European Technical Assessment are based on an assumed working life of the Bostik FP 312 Fire Retardant Coating of 25 years, provided that the conditions laid down in the product datasheet for the packaging/transport/ storage/installation/use/repair are met. The indications given on the working life cannot be interpreted as a guarantee given by the producer or the Technical Assessment Body but are to be regarded only as a means for choosing the right products in relation to the expected economically reasonable working life of the works.
- 7) Type Z₂: Intended for uses in internal conditions with humidity lower than 85 % RH excluding temperatures below 0°C, without exposure to rain or UV.

3 Performance of the product and references to the methods used for its assessment

Product-type: Coating		Intended use: Linear Joint & Gap Seal
N°	Essential characteristic	Performance
Mechanical resistance and stability		
	None	Not relevant
Safety in case of fire		
1	Reaction to fire	No performance assessed
2	Resistance to fire	Annex A
Hygiene, health and environment		
3	Air permeability (material property)	No performance assessed
4	Water permeability (material property)	No performance assessed
5	Release of dangerous substances	Declaration of manufacturer
Safety in use		
6	Mechanical resistance and stability	No performance assessed
7	Resistance to impact/movement	No performance assessed
8	Adhesion	No performance assessed
Protection against noise		
9	Airborne sound insulation*	Rw (C;Ctr) = 55 (-1;-1) dB
10	Impact sound insulation	No performance assessed
Energy economy and heat retention		
11	Thermal properties	No performance assessed
12	Water vapour permeability	No performance assessed
General aspects relating to fitness for use		
13	Durability and serviceability	Z ₂

* Bostik FP 312 Fire Retardant Coating 1.0mm WFT on both sides of minimum 50mm thick stone wool mineral fibre board with density minimum 160kg/m³

4 ASSESSMENT AND VERIFICATION OF CONSTANCY OF PERFORMANCE (HEREINAFTER AVCP) SYSTEM APPLIED, WITH REFERENCE TO ITS LEGAL BASE

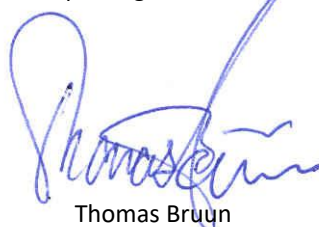
According to the decision 1999/454/EC – Commission Decision of date 22nd June 1999 on the procedure for attesting the conformity of construction products pursuant to Article 20(2) of Council Directive 89/106/EEC as regards fire stopping, fire sealing and fire protective products, published in the Official Journal of the European Union (OJEU) L178/52 of 14/07/1999, see <http://eur-lex.europa.eu/JOIndex.do> of the European Commission¹, as amended, the system(s) of assessment and verification of constancy of performance (see Annex V to Regulation (EU) No 305/2011) given in the following table(s) applies (apply).

Product(s)	Intended use(s)	Level(s) or class(es)	System(s)
Fire stopping and Fire Sealing Products	For fire compartmentation and/or fire protection or fire performance	Any	1

5 Technical details necessary for the implementation of the AVCP system, as provided for in the applicable EAD

Technical details necessary for the implementation of the AVCP system are laid down in the control plan deposited at ETA-Danmark A/S prior to CE marking

Issued in Copenhagen on 2021-06-16 by



Thomas Bruun

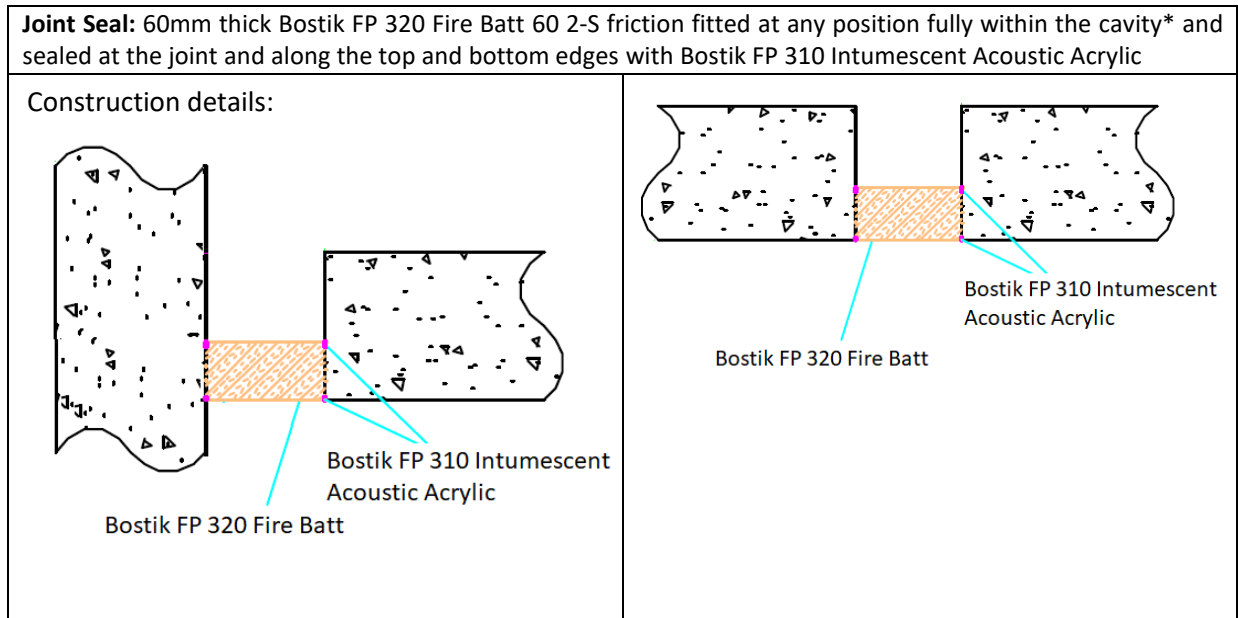
Managing Director, ETA-Danmark

¹ Official Journal of the European Communities L178/52 of 14/7/1999

ANNEX A – Resistance to Fire Classification – Bostik FP 312 Fire Retardant Coating

A.1 Rigid floor constructions with thickness of minimum 150 mm

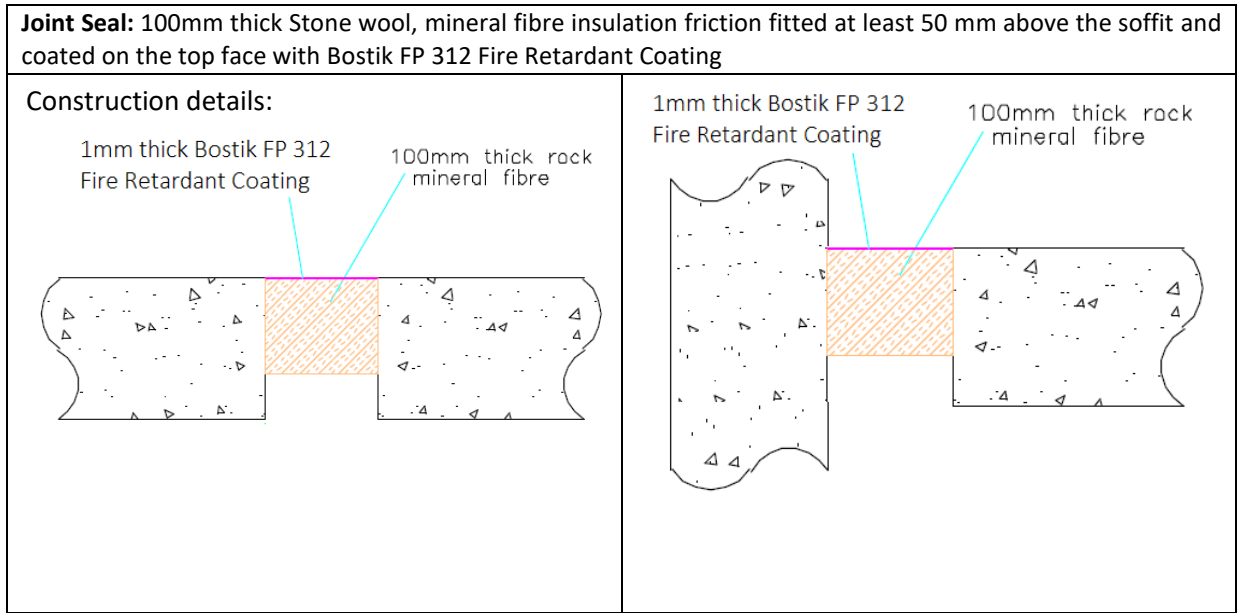
A.1.1 Linear joint or gap seal, between floor slabs or between floor slab and wall with coating to the both faces of seal



A.1.1.1

Substrate	Depth (mm)	Backing	Classification
masonry/ concrete	1 mm WFT min. Both sides	60 mm stone wool, mineral fibre batt	E 240 – H – X – F – W30-120 EI 120 – H – X – F – W30-120

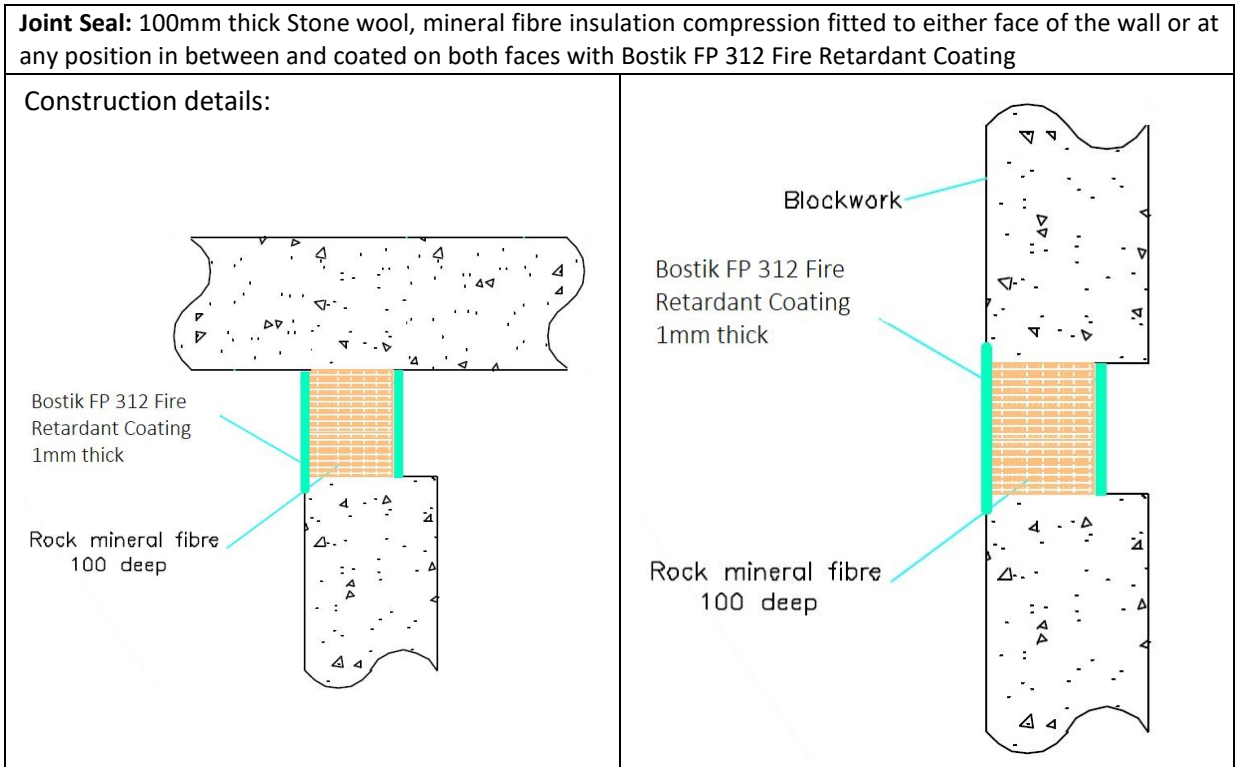
A.1.2 Linear joint or gap seal, between floor slabs or between floor slab and wall with coating to the top face of seal only



A.1.2.1

Substrate	Depth (mm)	Backing	Classification
masonry/ concrete	1 mm WFT min. top face	100 mm stone wool, mineral fibre min. 33 kg/m ³	E 240 – H – X – F – W120 EI 180 – H – X – F – W120

A.1.3 Linear joint or gap seal, between the head of walls (min. 150 mm thick) and the soffit of floor slabs or in walls (min. 150 mm thick) with coating to both faces



A.1.3.1

Substrate	Depth (mm)	Backing	Classification
masonry/ concrete	1.2 mm WFT min. both faces overlapped by 15 mm onto wall surface	100 mm stone wool, mineral fibre min. 35 kg/m ³ , compressed into gap by 40%	E 240 – T – X – F – W120 EI 180 – T – X – F – W120